

GN 479.1

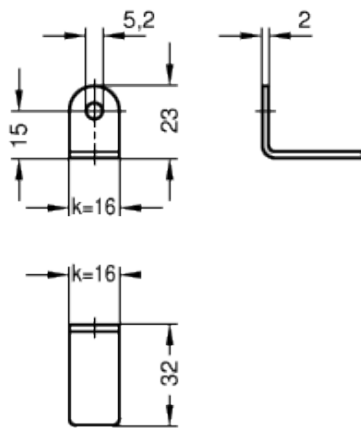
Retaining plates



INOX
Stainless Steel

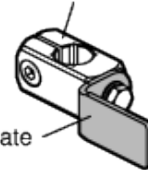


Swivel width $k=16$

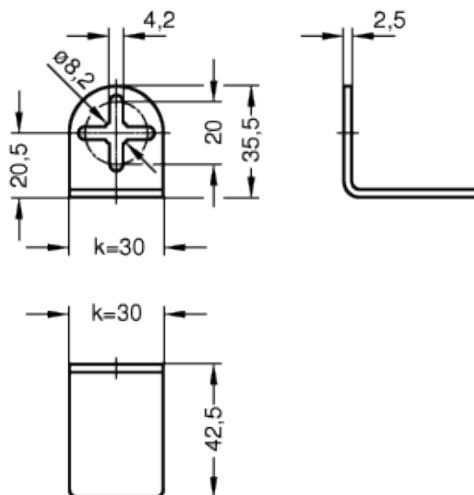


Clamp mounting GN 478

Retaining plate

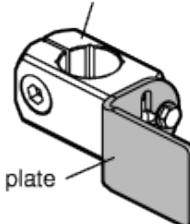


Swivel width $k=30$



Clamp mounting GN 47

Retaining plate





technical informations

Material

AISI 304 stainless steel, matte shot-blasted.

Assembly

Fixing screws are not included parts of the order.

Features and applications

Retaining plates GN 479.1 are designed as universal mounting elements, e.g. for integrating specific bore patterns. The attachment bore matches the central thread of GN 478 clamp mounting. For k=30, the cross-shaped oblong holes long provide extra adjustability and allow the use of two fixing screws. Fixing screws to be ordered separately.

Standard Elements	Main dimensions	Weight
Description	k	g
GN 479.1-16	16	10
GN 479.1-30	30	37



STANDARD MACHINE ELEMENTS WORLDWIDE